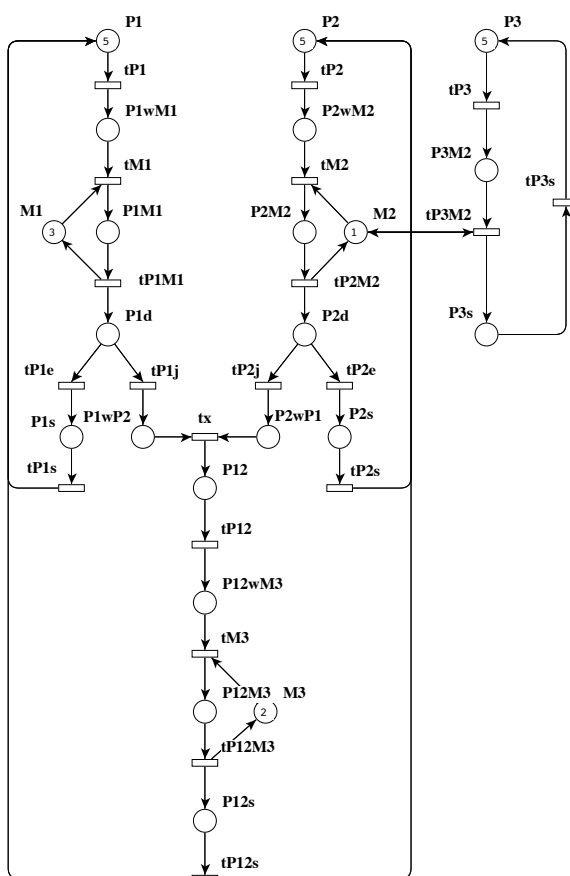


Introduction

This Model form is a short description of the Flexible Manufacturing System (FMS) model that comes, for the Model Checking Contest @ Petri Nets, with: a set of PNML files, a set of properties to be checked (possibly one file per model instance) and an optional set of properties concerning the model (invariants, etc. – possibly one file per model instance). For Coloured Nets, equivalent PNML P/T net files are proposed too.

Flexible Manufacturing System (FMS)



Presentation

Description: This Petri net is extracted a benchmark used for SMART. It models a flexible manufacturing system.

Origin: <http://www.cs.ucr.edu/~ciardo/SMART/>

Scaling parameter

Name	Description	Values
N	The scale factor is a value that changes the initial marking of places P1, P2 and P3 ($M(P1)=M(P2)=M(P3)=N$)	2, 5, 10, 20, 50, 100, 200, 500

Information about the Model

Stated Properties

Data on the Model

Number of places	Number of transitions	Number of arcs	Scaling parameter value
22	20	49	all

safe	✗	free choice	✓	event graph	✗
deadlock	?	state machine	✗	reversible	?

Other Properties (not mandatory)